

Project		Catalog #		Type	
Prepared by		Notes		Date	



# Ephesus

## Lumadapt 8

Integrated RGBA LED Sports Luminaire

### Typical Applications

Pro Arenas • University & Collegiate Arenas • Multi-Event & Convention Centers • Gymnasiums & Field Houses

### Interactive Menu

- Order Information [page 2](#)
- Performance & Optical Performance Data [page 3](#)
- Required Mounting Options and Accessories [page 4](#)
- Example System Topology [page 5](#)

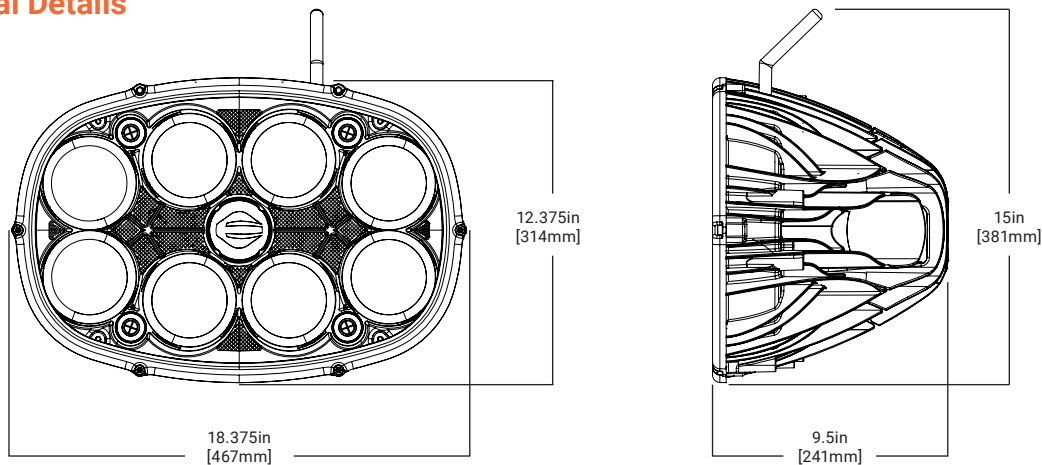
### Product Certification



### Top Product Features

- Wired DMX, Wired Internet Protocol or Wireless AirMesh lighting control options available to accommodate varying venue needs
- Flexible and upgradeable to meet your facility's changing needs
- Optional integrated RGBA color for color flooding, scenes and effects
- Beam tuning optics control light to create wider and narrower beams
- Color temperature tuning for different sports and events
- Near Field Communication allows for easy commissioning on the job site
- Solid state design means no moving parts - maintenance-free operation

### Dimensional Details



Unit features flexible antenna

[Installation Instructions](#)

## Order Information

NOTE: A complete accessory order requires a selection entry for **Brand, Product, Voltage, Optics, LED, Fixture Color and Controls**.

SAMPLE ORDER NUMBER: **EPH-G8-HV-N-PC-BLK-AM**

Brand	Product	Voltage	Optics	LED	Fixture Color	Controls
Brand	Product	Voltage	Optics	LED	Fixture Color	Controls
EPH = Ephesus	G8 = Lumadapt 8	HV = High Voltage LV = Low Voltage	N=Narrow W=Wide	PC=Color Tunable White & RGBA	BLK = Black WHT = White	AM = Wireless AirMesh LB = Wired DMX IP = sACN

## Product Specifications

### Multiple Control Options

- Wired DMX (UL924 Compliant) and Wireless AirMesh lighting control options address varying venue needs and functionality

### Beam Tuning Optics

- Controls light distribution from fixture's light sources for wider and narrower beams

### Color Temperature Tuning

- Can be adjusted between warmer and cooler tones for different sports and events

### Integrated Color

- Optional integrated RGBA color capabilities for color flooding, scenes and effects

### Feedback and Monitoring

- Individual fixture and system level data is stored securely in the data cloud for review of performance and health

### Easy Field Commissioning

- Integrated Near Field Communication (NFC) in each fixture allows for communication to unpowered fixtures to set CCT, beam angle and other parameters on the job site

### Mounting Options

- A variety of mounting options combined with 360 degree mounting orientation provides flexibility for any installation

### Construction

- Solid state design means no moving parts to wear out or replace, providing maintenance-free operation

## Performance Data

Lumen output	up to 50,000 lumens
Input wattage / power supply output wattage	440 watts / 400 watts
Input voltage (high voltage)	277-480VAC, 50/60 Hz
Input voltage (low voltage)	120-240VAC, 50/60 Hz
CCT Range <sup>5</sup>	5000K nominal (3000K-6500K optional)
Color lighting	Integrated RGBA
Lumen Output by Color <sup>5</sup>	
Red	325
Green	1950
Blue	277
Amber	1395
CRI <sup>5</sup>	>/= 85 CRI

TLCI <sup>5</sup>	70 min/75 typical TLCI <sup>(2)</sup>
Dimming range	Full range; 1-100%
Beam angle	NEMA 4 nominal (3-5 optional)
Operating temperature range	-40 degrees C to +50 degrees C
Usage	Indoor
Mounting options (3G rated)	Pendant, yoke
Mounting angle	360 degrees / full range
Electrical certifications	UL 8750, UL 1598
NEMA rating	NEMA 4X
Surge	6kV common mode / 4kV differential mode
Effective Projected Area	1.4 ft sq
Approximate Weight	28 lbs <sup>(3)</sup>

### NOTES:

- (1) For proper functionality, Lumadapt 8 fixtures must be sold with other Lumadapt system components.  
 (2) Higher TLCI fixtures available upon request.

- (3) Mounting options and hardware may vary and affect final fixture weight.  
 (4) Specifications are subject to change without notice.  
 (5) Values are +/- 2%

## Optical Performance Data

OPTIC	LED SOURCE COLOR	NEMA TYPE	CRI	CCT RANGE	LUMEN RANGE (Lm)	INPUT POWER (W) RANGE	Lm/W RANGE	BEAM ANGLE RANGE	FIELD ANGLE RANGE
NARROW	WHITE	NEMA RANGE 3-5	85	3000K - 6500K	31851-50562	288-433	110.5-116.8	21-55	36-83
	RED		N/A	N/A	285	35.7	8.0	39.8	91.5
	GREEN		N/A	N/A	2003	36.0	55.6	42.2	98.5
	BLUE		N/A	N/A	244	36.2	6.7	40.5	91.7
	AMBER		N/A	N/A	1,350	35.6	37.9	40.9	91.4
WIDE	WHITE	NEMA RANGE 3-5	85	3000K - 6500K	31283-49564	288-433	108.6-114.5	50-77	96-135
	RED		N/A	N/A	271	35.8	7.6	69.6	136.9
	GREEN		N/A	N/A	1907	36.0	53.0	70.1	137.0
	BLUE		N/A	N/A	230	36.2	6.4	74.0	140.8
	AMBER		N/A	N/A	1288	35.6	36.2	70.4	136.4

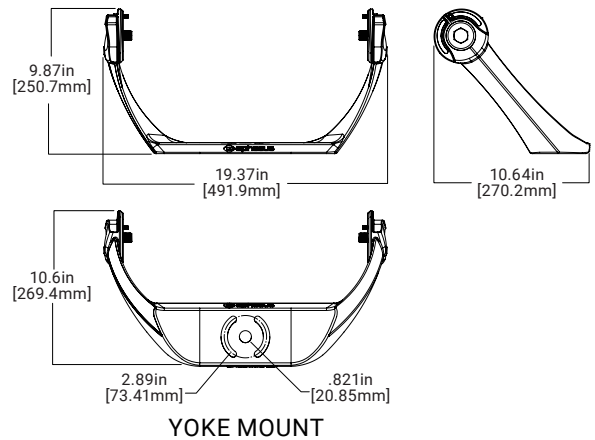
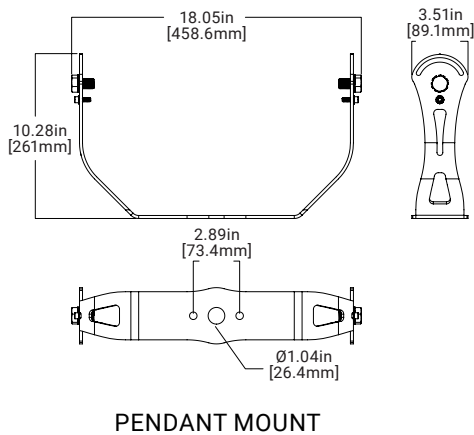
## Ordering Information for required mounting options and accessories

NOTE: A complete accessory order requires a selection entry for **Brand, Product, Fixture Color, Mounting and Junction Box Connection, Power Cable and Packaging.**

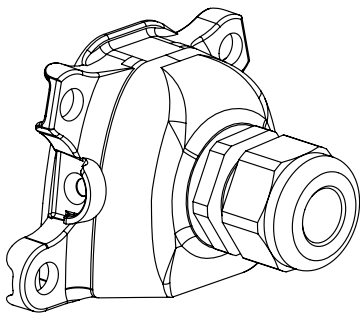
SAMPLE ORDER NUMBER: **EPH-G8-BLK-PC-NPC-BP**

Brand	Product	Fixture Color	Mounting and Junction Box Connection	Power Cable	Packaging
EPH-Ephesus	G8=Lumadapt 8	BLK=Black WHT=White	PG=Pendant mount with cord grip PC=Pendant mount with conduit fitting YG=Yoke mount with cord grip YC=Yoke mount with conduit fitting	NPC=No power cable C10=10ft cable	BP=Bulk Packaging <sup>1</sup>
			<b>Notes</b>	<b>Notes</b>	
			(1) Junction box not shown. Ordering fixtures without accessories and junction box will result in loss of NEMA4X & IP66 rating	(1) Six items come in each bulk package	

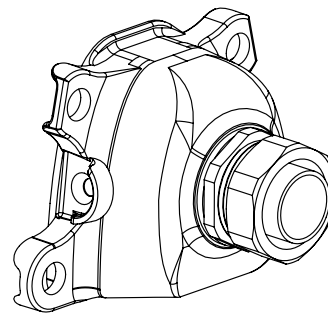
## Dimensional and Mounting Details



## JUNCTION BOX CONNECTION OPTIONS



WITH CORD GRIP



WITH CONDUIT FITTING

## Ordering Information for Extension Plate (EXTPLT) Mounting Option and Accessories

NOTE: A complete accessory order requires a selection entry for **Brand, Accessory, Option**.

SAMPLE ORDER NUMBER: **EPH-HRDM58-025**

Brand	Accessory	Option	Intended Use
EPH = Ephesus	EXTPLT = Extension Plate <sup>1</sup>	025 = .25in 050 = .5in 200 = 2.0in	Extension Plate Kit to mount to structures .25in, .5in, or 2.00in thick. Designed to be used with the LUMASPORT 8, LUMADAPT 8, PRISM RGBA & ALL FIELD luminaires only.
	HRDM58 = Mounting Hardware 5/8in diameter	050 = .375in - .50in Range of Clamping Thickness <sup>2</sup> 200 = 2in Clamping Thickness <sup>2</sup>	<b>HRDM58-050:</b> .375- .500in clamping thickness, Use for Extension Plate (EXTPLT) or other flat surfaces drilled for 5/8in hardware <b>HRDM58-200:</b> 2.00in clamping thickness, use for 2in x 4in Cross arms that are drilled for 5/8in hardware
	Notes: (1) Additional mounting fastener hardware kit needed to attach a fixture to the EXTPLT = Extension Plate	Notes: (2) Option only available for use with HRDM58	

### HRDM58 Dimension and Part Details:

#### HRDM58-050:

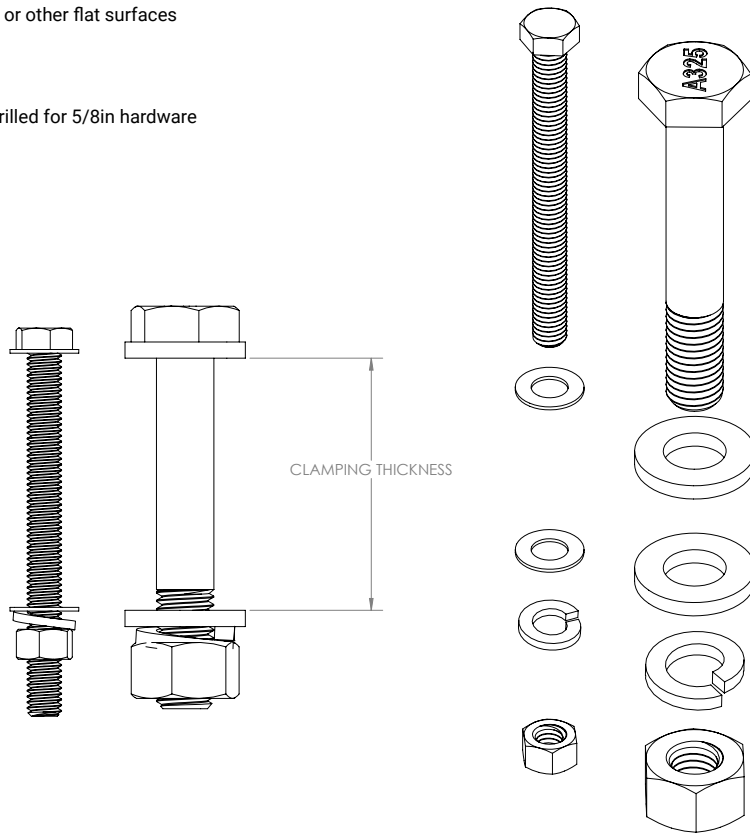
.375-.500in clamping thickness, Use for Extension Plate (EXTPLT) or other flat surfaces drilled for 5/8in hardware

#### HRDM58-200:

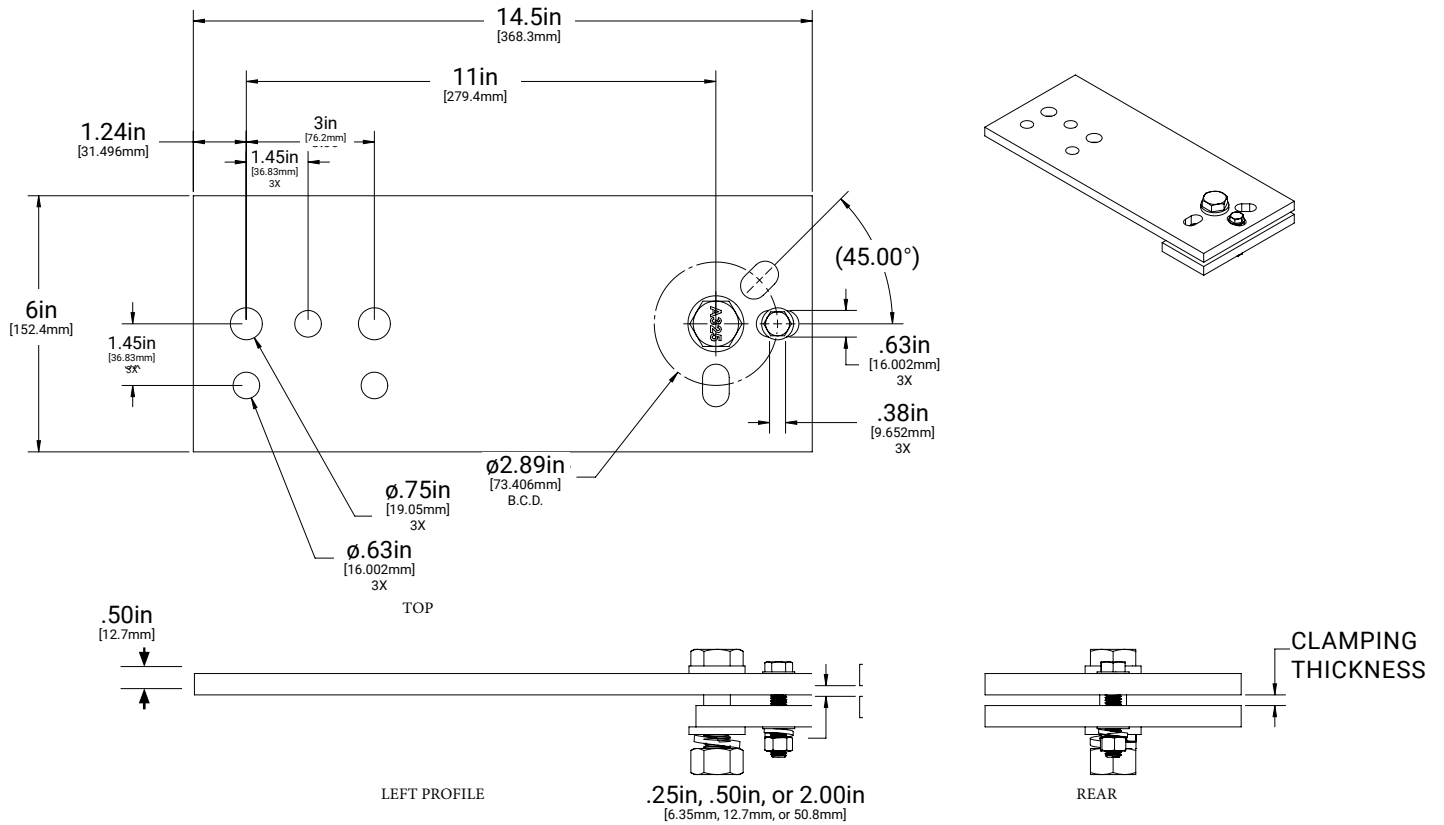
2.00in clamping thickness, use for 2in x 4in Cross arms that are drilled for 5/8in hardware

#### HRDM58 Data

MODEL #	WEIGHT (LBS)
HRDM58-050	.65
HRDM58-200	.84



Extension Plate (EXTPLT) Dimension and Part Details:



Extension Plate Data

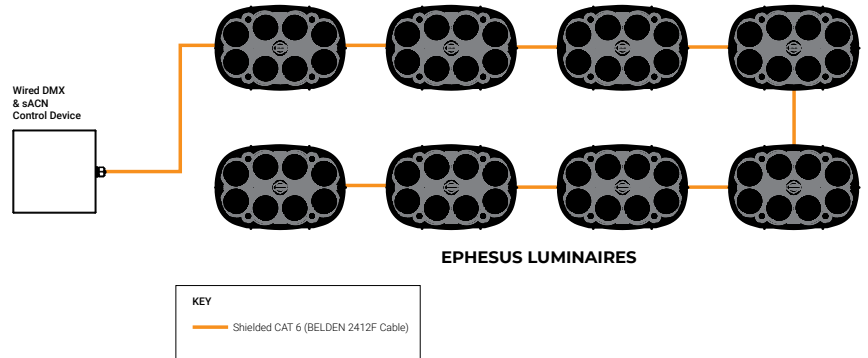
MODEL #	WEIGHT (LBS)
EXTPLT	14.63
EXTPLT + HRDM58-050	15.28

Extension Plate Kit Parts

DESCRIPTION	QUANTITY
Extension Plate	1
Washer Plate	1
5/8in Hex Bolt	1
5/8in Washer	2
5/8in-11 Hex Nut	1
5/8in Split Washer	1
3/8in Washer	2
3/8in Hex Bolt	1
3/8in Split Washer	1
3/8in-16 Hex Nut	1

**Example System Topology (Wired DMX & Streaming ACN [sACN] Controls)**

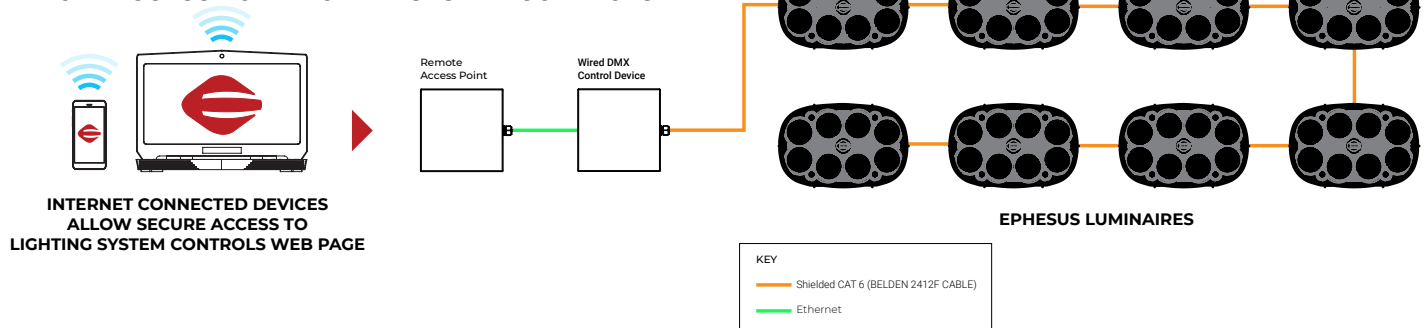
Example system topology showing the LUMADAPT 8 System in a commonly used wired DMX & sACN Controls installation. Refer to the specifications and limitations of your Wired DMX & sACN Controls Devices before installing either of these two configurations.



**Example System Topology (Remote Access Point With Wired DMX Controls)**

Example system topology showing the LUMADAPT 8 System in a commonly used Remote Access Point with wired DMX Control installation. Note: Laptop and mobile device not included. A cellular network connection requires a cellular carrier network plan.

**REMOTE ACCESS POINT TO DMX SYSTEM CONTROLS**



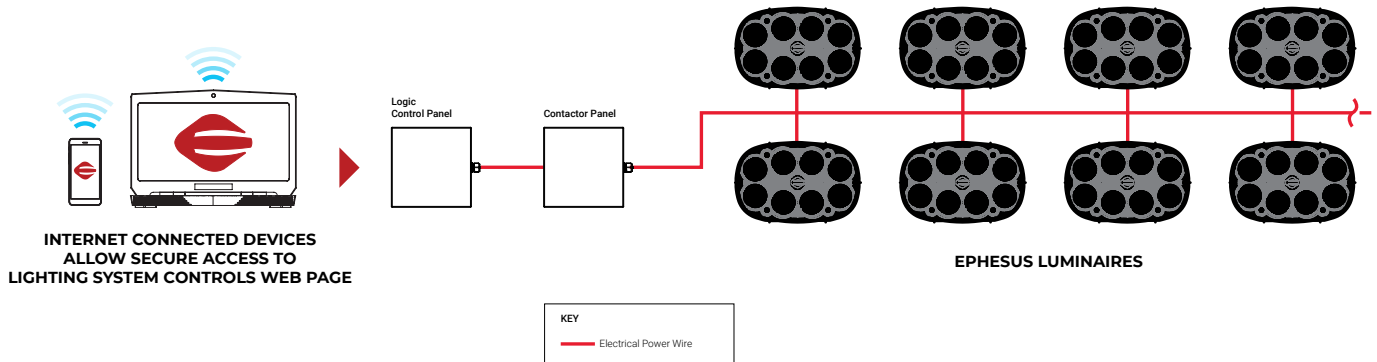
**NOTES:**

Remote Access Point requires either a wired Internet connection at the lighting system site or through a cellular carrier network connection plan.

### Example System Topology (Contactor Controls)

Example system topology showing the LUMADAPT 8 System in a Wired Contactor Controls installation.

Note: Laptop and mobile device not included. A cellular network connection requires a cellular carrier network plan.



### Example System Topology (Wireless AirMesh Controls)

Example system topology showing the LUMADAPT 8 System in a Wireless AirMesh Control installation.

Note: Laptop and mobile device not included. A cellular network connection requires a cellular carrier network plan.

